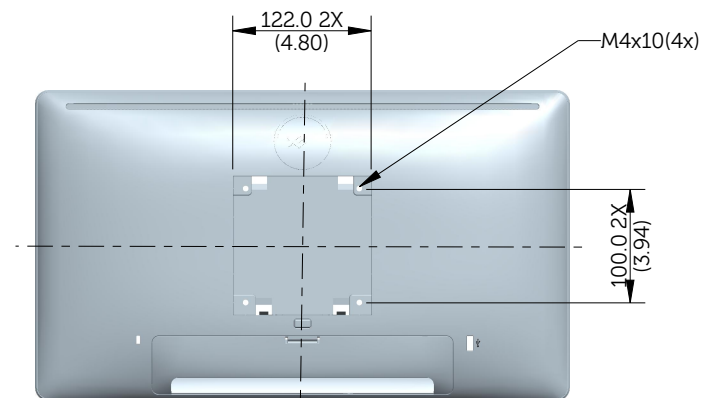
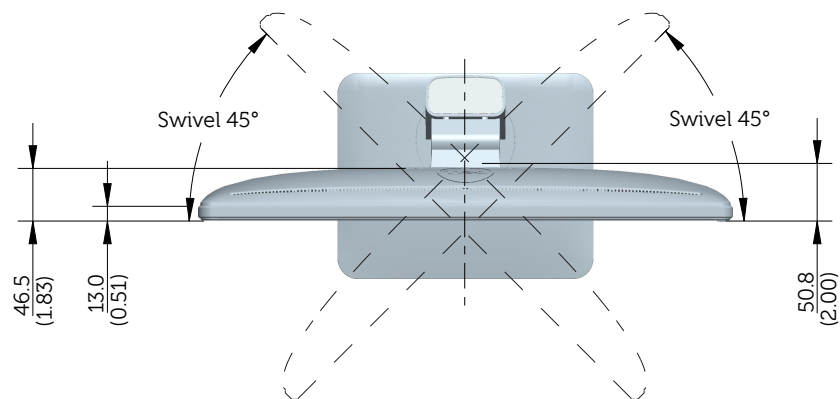


# P2014H Outline Dimension

Nominal Dimensions  
Unit: mm(inch)



Back View of Monitor without stand

